


# OTC10 *Series*

## OVERHEAD TUBE CRANE

A sturdy and reliable overhead tube support that allows the most flexible configuration choices in radiographic systems. Combine with a table and wall bucky for an imaging system capable of all general purpose radiographic procedures.

### Product Features

- Automatic cassette size sensing (OTC10-A Only)
- Front display digital readouts; SID and horizontal tube rotation angle
- Cable concealment and management system
- Handles with dual "All Lock Switches" and digital display
- Includes 65 feet (20 m) H.T. cables and power supply



OTC10-A with optional x-ray tube and automatic collimator



OTC10-M with optional x-ray tube and manual collimator

# DEL MEDICAL OTC10 Radiographic Systems



## PRECISION for optimal imaging

A Del Medical OTC10 Overhead Tube Crane System offers the utmost in technologist efficiency and patient comfort. Start with the exceptionally easy to position, simple to use, ceiling mounted tube support that is available in both manual (OTC10-M) and automatic (OTC10-A) cassette size-sensing models allowing for the most flexible configuration choices available. The OTC10 can be configured with 300,000, 400,000 or 600,000 HU x-ray tubes and either manual or automatic collimators.

## SIMPLICITY for improved productivity

The OTC10 Tube Crane, combined with the Del Medical EV650 Elevating, Four-Way Float Top table forms a true hospital grade system that will provide the ruggedness and longevity you need for your busy department. In addition to the EV650's smooth, quick and accurate patient positioning, these additional features contribute to patient and technologist safety and comfort.

- Vertical rack and pinion motor drive for smooth and quiet operation
- 650 lb. (295 kg) patient weight capacity
- High strength contoured table
- Integral collision sensors
- Hands free table elevation with angled and recessed foot treadles



*Thoughtful designs that allow you to focus on your patients, not your equipment.*

## INCREASE FLEXIBILITY for all clinical applications

Supplement the versatility of your OTC10 system even further by adding the Del Medical VS200 Vertical Wall Stand to accommodate a wide range of upright exams from skull to ankle. This counter-balanced wall stand allows for smooth, vibration-free vertical movement with long-lasting quality and durability. The slender column design with concealed cabling contributes to the professional appearance. Available with 17" x 17" (43 cm x 43 cm) grid cabinet or bucky and manual or automatic size sensing tray.



*A true hospital grade system that provides the power and durability you need for your busy department.*

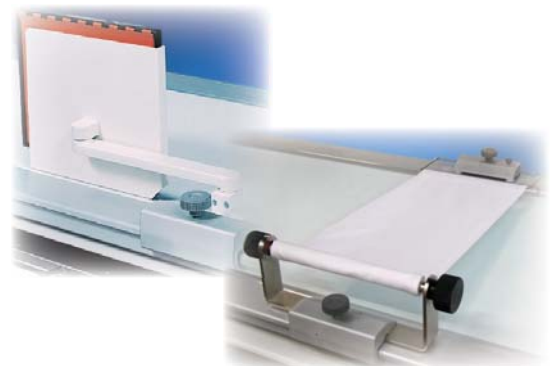
## POWERED for your needs

Del Medical's ANTHEM, IN, and CM Series of high frequency generators feature a vast range of available configurations with ranges of 400 mA to 1,000 mA output and kVp of 125 or 150. The ANTHEM generator simplifies operation with exclusive features such as 10-15 minute calibration, integrated power supply and the ability to update APR by SD card or PC. These features and more contribute to the user-friendly design of a complete OTC10 system. Total customization is possible with available options like AEC interface and digitally upgradeable generators.



## CUSTOMIZE with accessories

A variety of optional accessories are also available to help you meet your needs. These can include a compression band, lateral cassette holder, shoulder/head restraint and an adjustable overhead-mounted wall stand patient hand grip (pictured above on VS200) for added patient comfort and safety.



*Eighty* Years of Excellence

# OTC10 Series

## Overhead Tube Crane

### Product Specifications

- Vertical telescope travel range: 59" (1500mm) with minimum 14.5" (368mm) focal spot floor distance with a 9' ceiling height
- Longitudinal travel range, standard 14' rail included, 139.4" min. (3542mm)  
With optional rail extensions: 223.11"max (5667mm)
- Transverse travel range, STD 10' Bridge with 9.84' (3m) transverse carriage: 87.2" min. (2216mm)  
With 13' bridge & 13.12' (4m) transverse carriage: 126.6" max.(3216mm)
- Longitudinal detent positions, configurable during installation
- Tube rotation range, horizontal axis, -120°, +120°  
Detent positions at -90°, 0°, +90°
- Tube rotation range, vertical axis, -182°, +154°  
Detent positions at -180°, -90°, 0°, +90°

### Weight

- Approximately 831 lbs. (377 kg) with tube & collimator

### Power Requirements

- 110/240 Vac.  
50/60 Hz, 700 VA

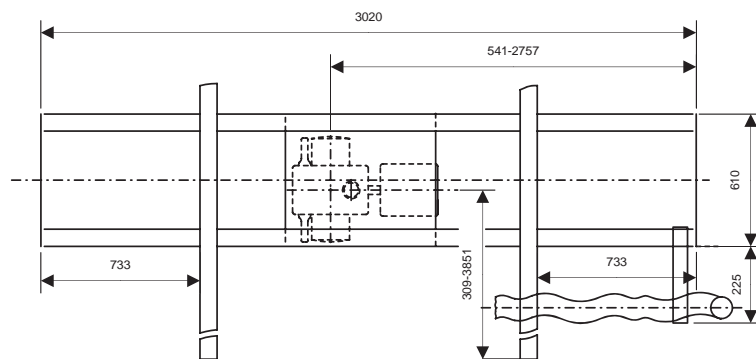
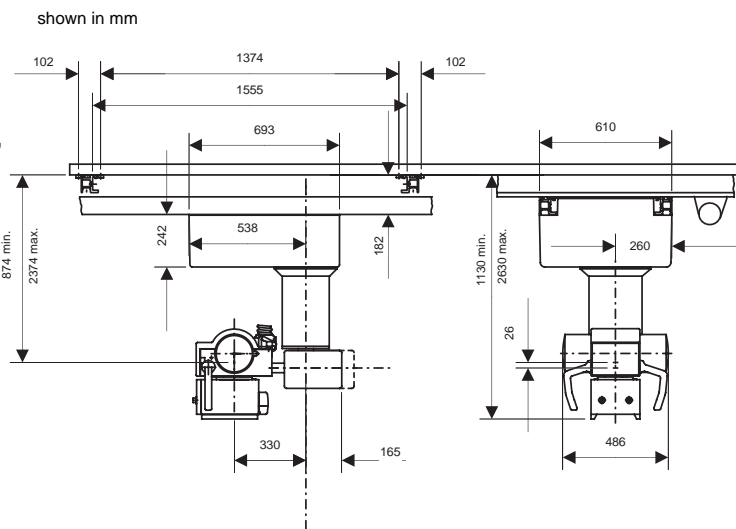
### Product Options:

- 300kHU, 400kHU or 600kHU 0.6-1.2mm, X-ray tube
- Collimator (Ralco manual or Siemens automatic)
- Extended longitudinal rail length, up to 20' (6.37m)
- Extended telescope and travel, increases vertical travel by 7.9" (20 cm)
- 13.12' (4m) transverse bridge



### Available OTC10 Series Models

- OTC10-A - For use with Automatic Collimator
- OTC10-M - For use with Manual Collimator



Del Medical is an ISO 13485 & ISO9001 Certified Facility.  
Specifications are subject to change without notice.

## DEL MEDICAL

Toll Free: (800) 800-6006  
 Fax: (847) 288-7011  
 Email: info@delmedical.com  
 www.delmedical.com  
 50 N. Gary Ave., Suite B, Roselle, IL 60172

## UMG Medical Imaging

Toll Free: (800) 261-9808  
 Fax: (914) 835-6111  
 Email: info@umgxray.com  
 www.umgxray.com  
 28 Calvert Street, Harrison, NY 10528